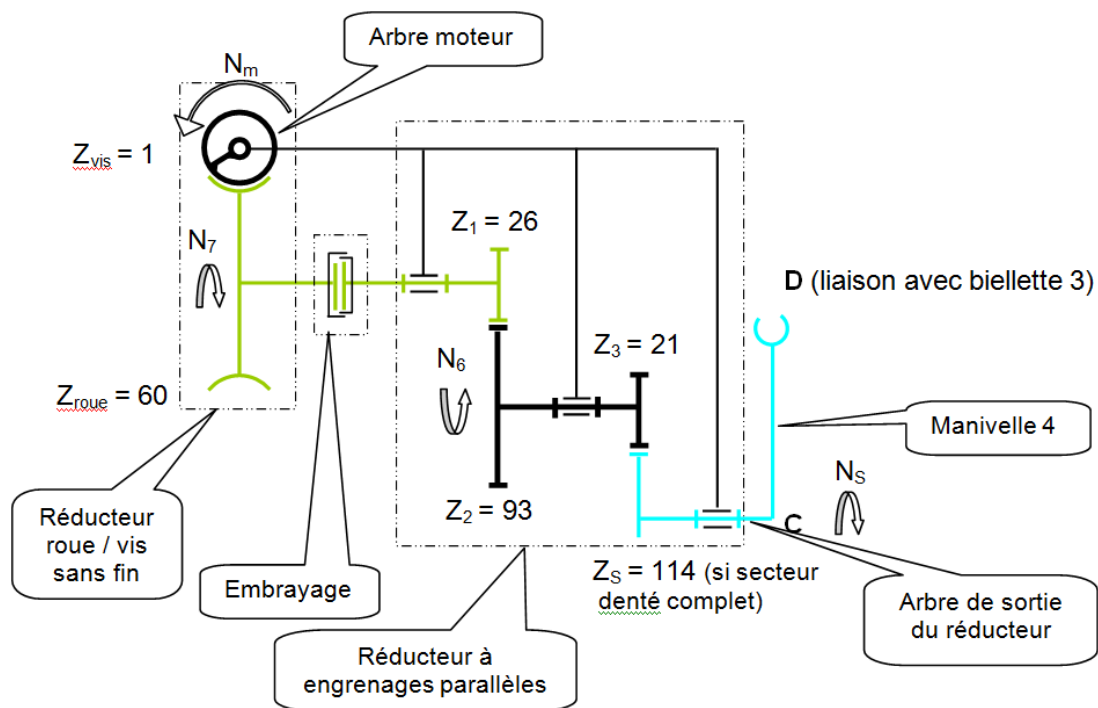
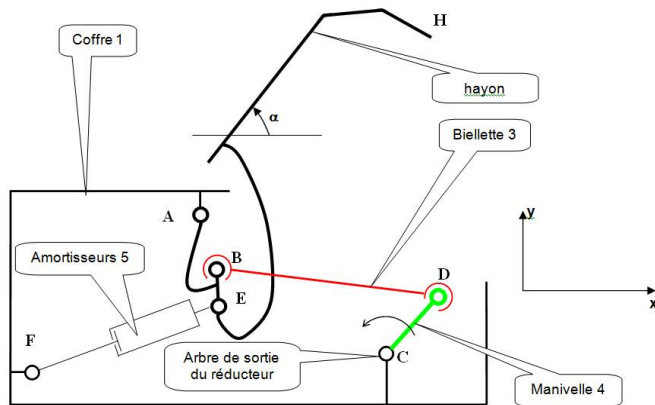


Corrigé Cinématique : Coffre motorisé



$$r = \frac{N_s}{N_{mot}} = \frac{1}{60} \frac{26}{93} \frac{21}{114}$$

$$N_{mot} = 3300 \text{ tr. min}^{-1} = 3300 \frac{360}{60} \text{ d}^\circ \cdot \text{s}^{-1} = 19800 \text{ d}^\circ \cdot \text{s}^{-1}$$

$$N_s = r \cdot N_{mot} = 17 \text{ d}^\circ \cdot \text{s}^{-1}$$

$$\Delta t = \frac{\Delta \theta}{N_s} = \frac{68,4}{17} = 4 \text{ s}$$