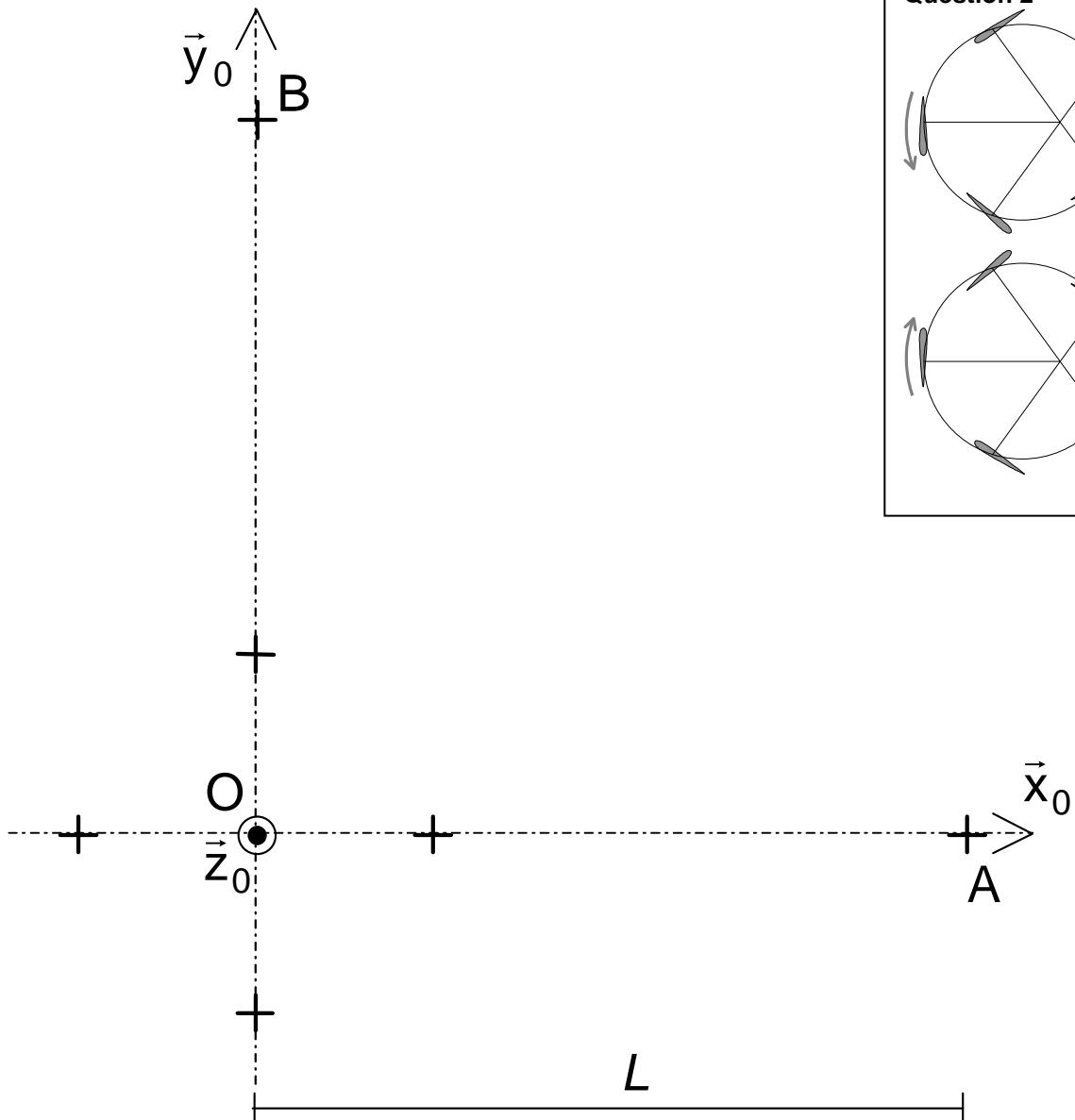
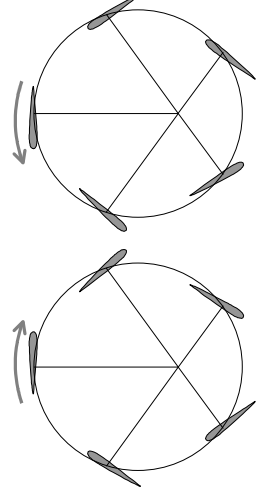


DOCUMENT REPOSE

Question 9-10

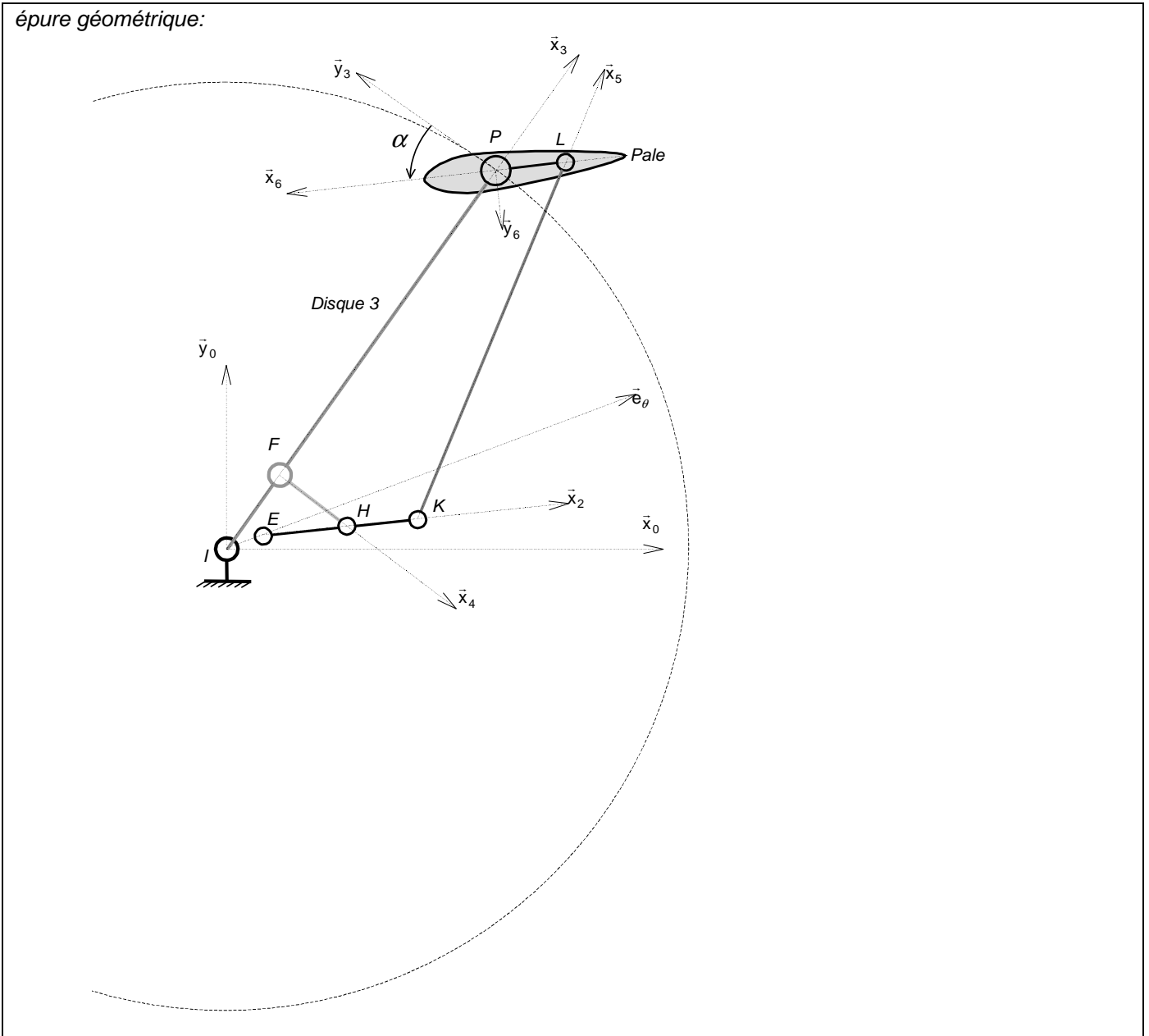


Question 2



Question 15-16

épure géométrique:



Question 25

schéma-bloc:

